

# Ceiling and Wall Mounted Speaker Brackets

## BCS251

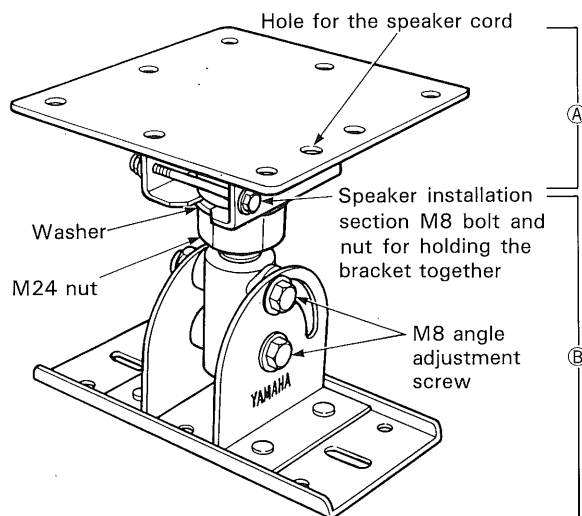
## Installation Manual

Thank you for purchasing this Yamaha product. Before using this speaker mounting bracket, please read this manual carefully. Also, after you have completed reading this manual, store it away carefully for future reference.

### Precautions

- This speaker bracket is for a speaker that weighs no more than 30 kg for hanging from a ceiling or 20 kg for mounting on a wall.
- Make sure that the surface this bracket is being mounted on has the strength to handle the weight of the speaker and of this bracket.
- Use bolts and nuts as well as washers for installation and tighten them down firmly so that the speaker can not move. After completing the installation, always double check the installation one more time for safety's sake.
- Always loosen the corresponding screw before adjusting the angle or direction of the speaker. Never force this adjustment with the screw still tightened down.
- Yamaha can not assume any responsibility whatsoever for any damage caused by such incidents as the speaker falling due to an improper installation method or location.

### Assembly Drawing



- Ⓐ Ceiling/wall-mount fittings
- Ⓑ Speaker fittings

### Installation procedure

1

Remove the nut and bolt that prevent the speaker installation fixture from coming apart, loosen the fastening nut, then separate the bracket into the speaker installation section and the ceiling/wall installation section. (Figure 1)

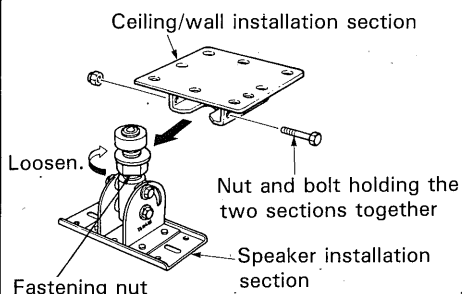


Figure 1

2

Fasten the speaker installation fixture onto the speaker with the two M8 bolts and the six M6 bolts (Figure 2).

For safety's sake, always use double nuts in the installation section. Use an installation bolt long enough for both the speaker cabinet rag nut and a second nut. Use the nuts on the side facing the speaker cabinet and tighten the two nuts firmly (Figure 3).

\*When using two M8 bolts, the bolts may be 120-150 mm from each other. (For more details, see the figure giving the installation dimensions.)

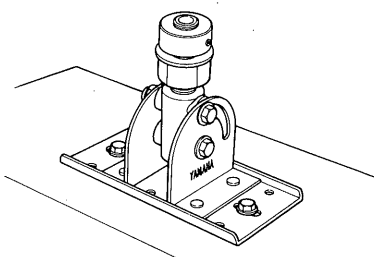


Figure 2

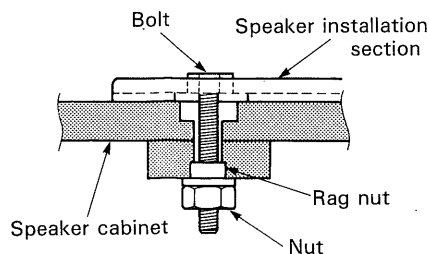


Figure 3

3

Using eight sets of M8 bolts and nuts and 16 washers, install the ceiling/wall installation fixture on an adequately strong ceiling or wall. Tighten the nuts and bolts firmly. (Figure 4)

Always double check that the ceiling or wall is strong enough to handle the weight of the speaker and the bracket.

When installing on a wall, install with the nut and bolt that hold the bracket together facing up. When passing the speaker cord in from the rear side of the ceiling or wall, use the speaker cord hole in the installation fixture.

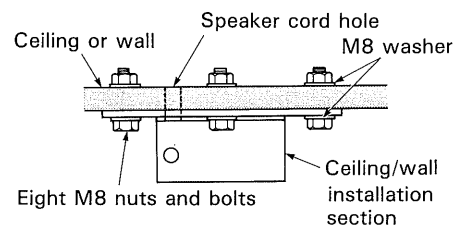


Figure 4

4

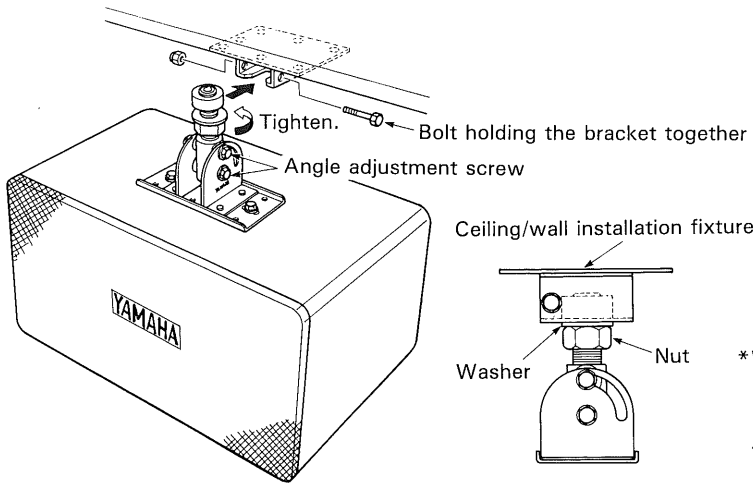
Mount the fixture to which the speaker has been fastened on the ceiling/wall installation fixture so that the washers come to the fastening nut as shown in Figure 5.

Next, firmly tighten the nut and bolt that hold the two sections of the bracket together.

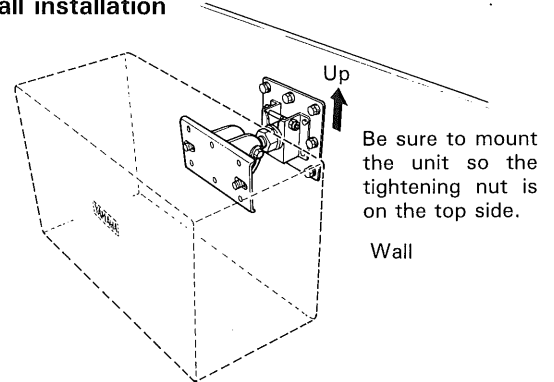
To set the vertical direction for the speaker, loosen the two M8 angle adjustment screws, adjust the angle, then tighten the screws back down again. Do not force the adjustment with the screws still tightened.

**Warning:** Since the angle adjustment screws may come out altogether if they are loosened too far, loosen them only the bare minimum necessary for adjusting the angle.

● Ceiling installation



● Wall installation

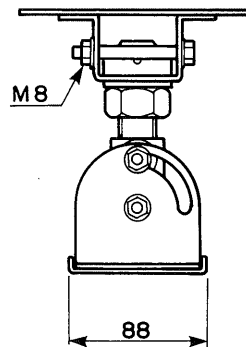
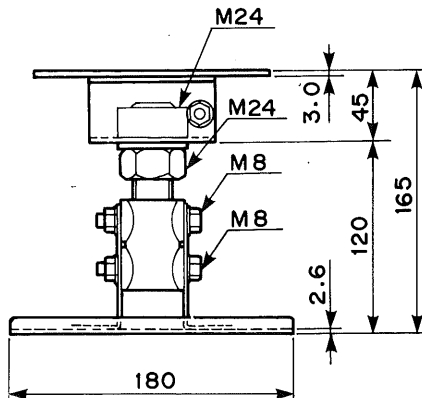
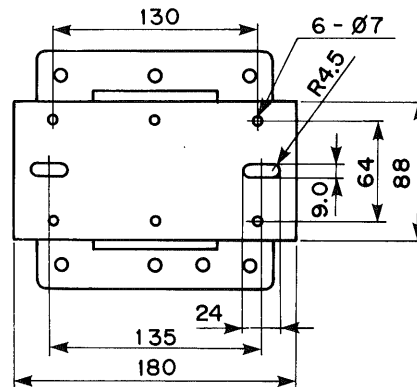
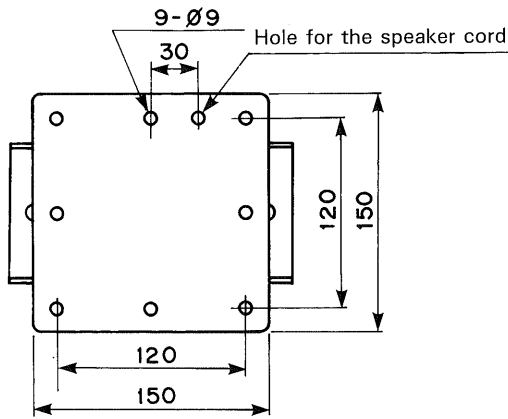


\*When installing on a wall, the direction can only be adjusted in one direction—vertical or horizontal—not both.

To adjust in both directions, use the BWS251 speaker bracket unit (sold separately).

Figure 5

## Dimensions



Weight : 2.3 kg

Unit : mm