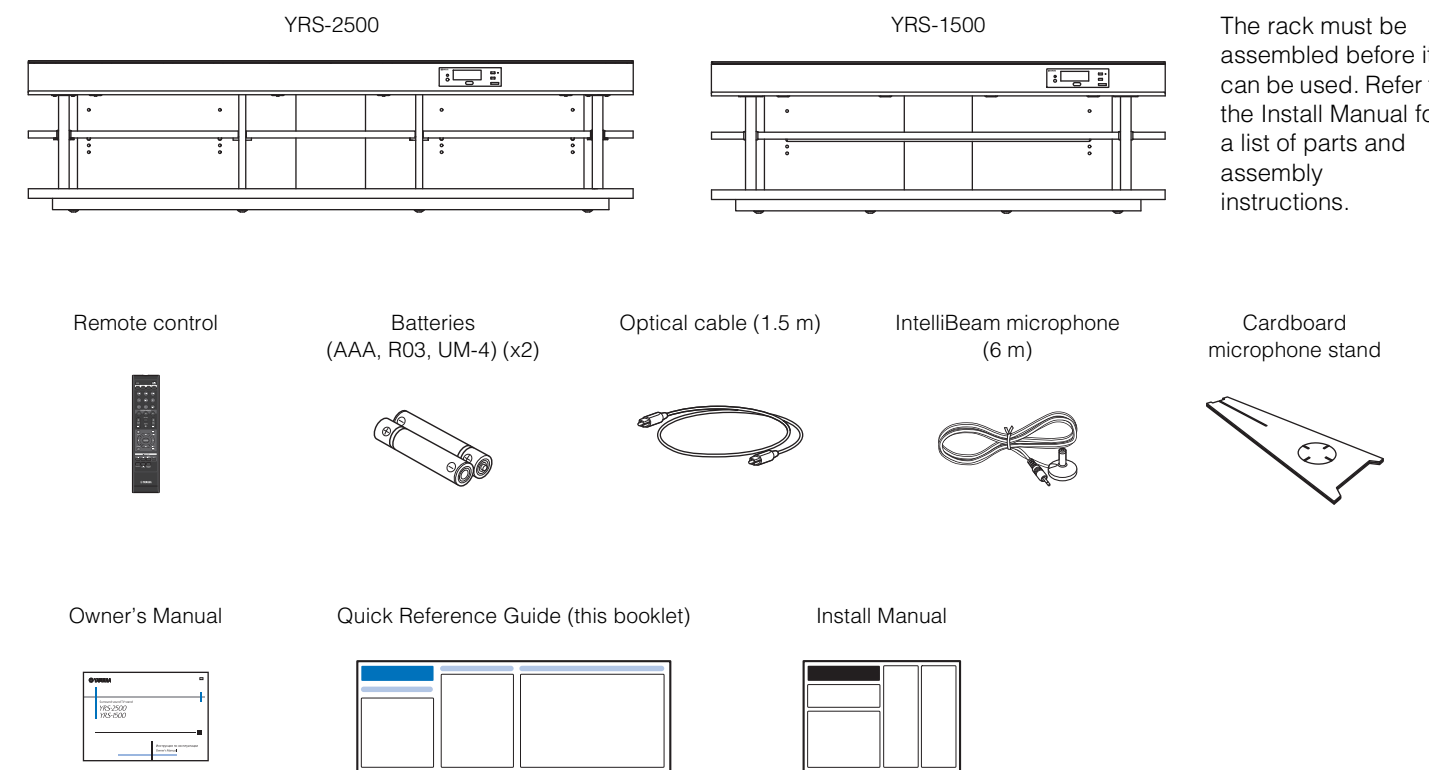


This Quick Reference Guide provides instructions for connecting a TV and BD/DVD player to this unit, applying settings, and playing content. For more information on operations, refer to the Owner's Manual. Read the safety instructions on page 2 in the Owner's Manual before using this unit. For instructions on how to operate or set the external devices, refer to the owner's manual supplied with each device. In this manual, the YRS-1500 is used for illustrative purposes.

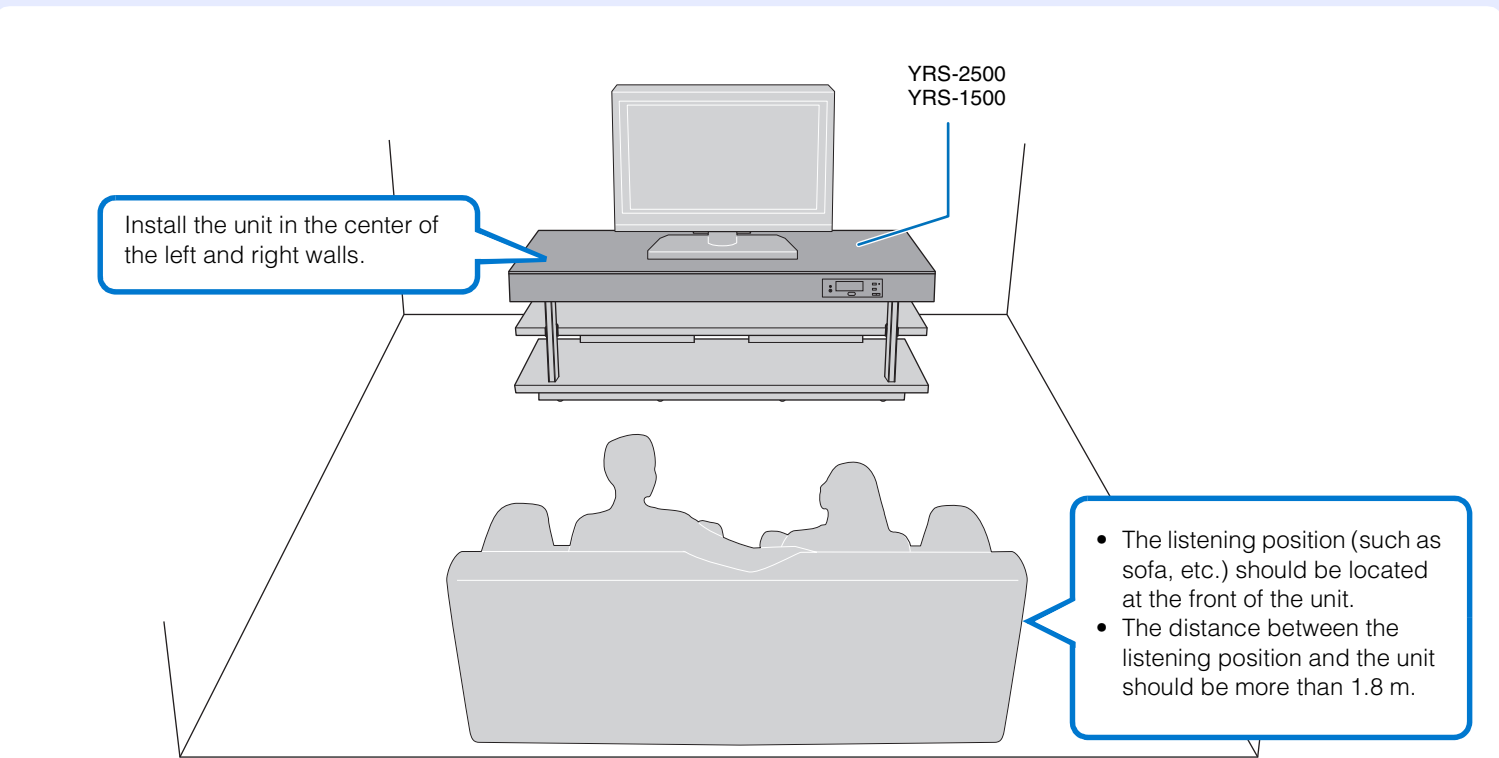
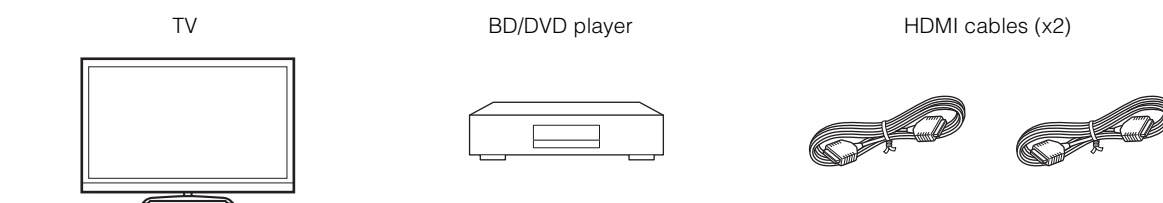
Supplied accessories

Before connecting, make sure you have received all of the following items.

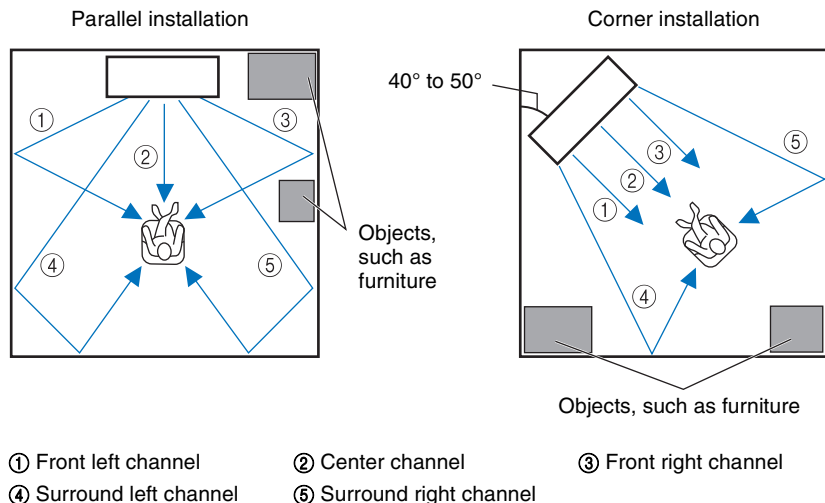


Devices and cables required for connection

The following items are not supplied with this unit.

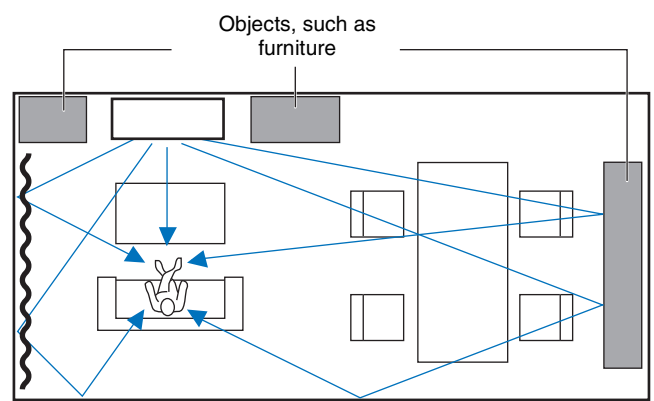


This unit creates surround effects by reflecting sound beams off the walls of your listening room. The arrows in the diagrams on the right indicate the images of paths of 5-channel sound beams. To achieve desired surround sound effects, install this unit where there are no objects such as furniture obstructing the path of sound beams.

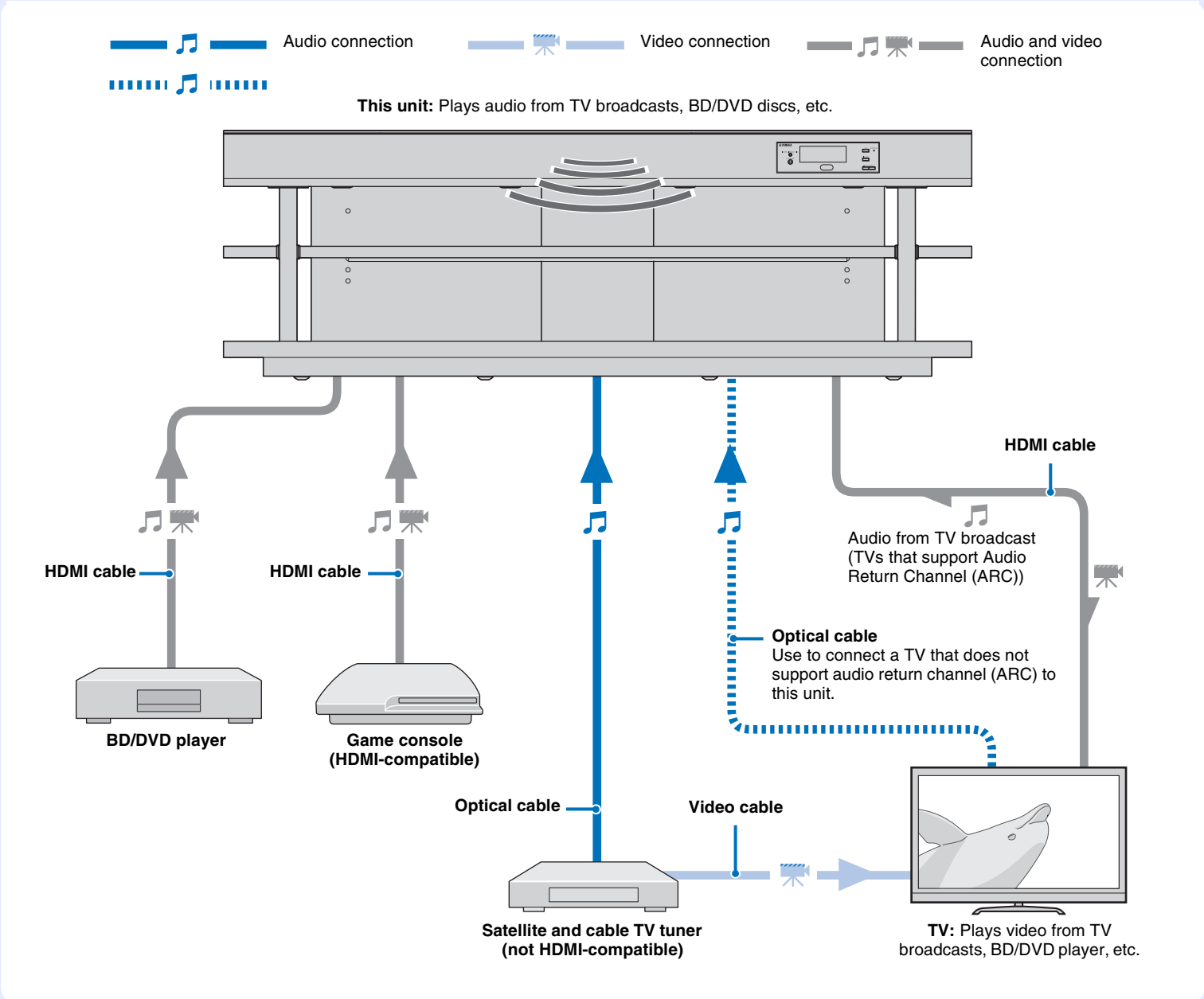


Example for installing the unit in living room

- As sound beams normally pass through tables, tables are not obstacles. And a cupboard installed facing the wall reflects sounds.
- In a case of the listening room as shown in the illustration on the right, adjusting the position of the right channel after AUTO SETUP (as shown in "Carrying out AUTO SETUP for appropriate surround effects" in this Quick Reference Guide) enables to achieve more desired surround sound effects. See page 48 in Owner's Manual.
- As the curtains absorb sounds, the sound features of the listening room is different from the case with the curtain opened and the case with the curtain closed. Using saving settings function enables to save the best settings for each case of listening room. See page 40 in Owner's Manual.



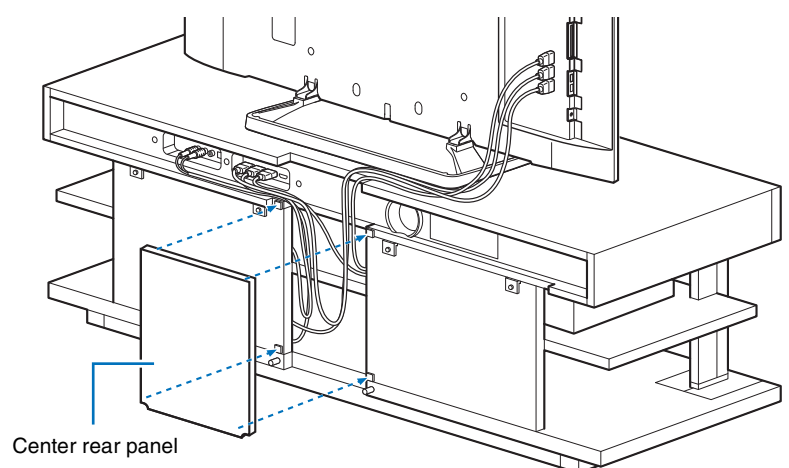
When external devices such as a TV, BD/DVD player, and/or game console are connected, audio and video signals are transmitted as shown below.



- Do not connect the power cable until all connections are completed.
- Do not use excessive force when inserting the cable plug. Doing so may damage the cable plug and/or jack.

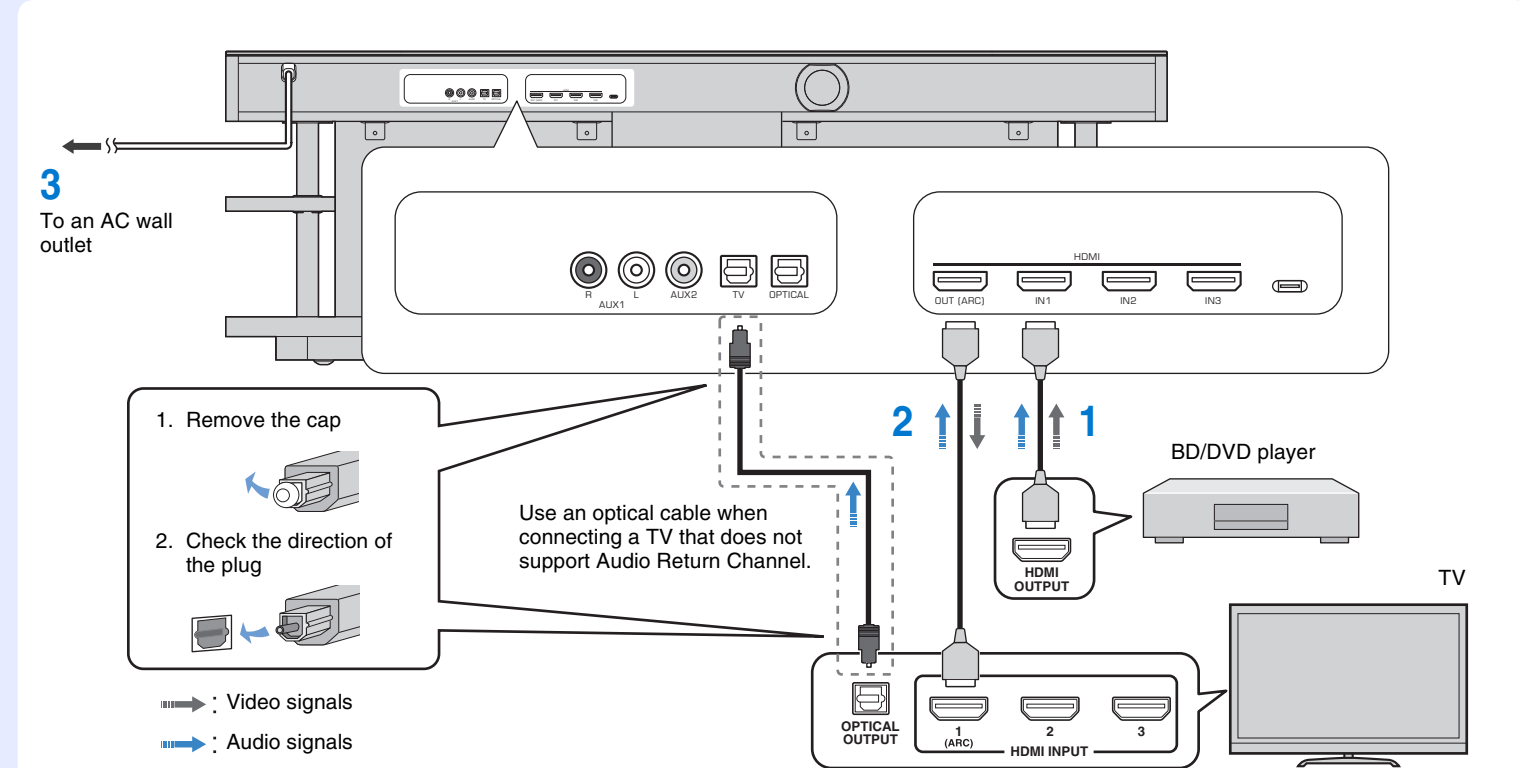
Handling cables

When placing playback devices on the rack, remove the center rear panel and connect the playback devices. Run cables through the indented portion of the rack, and reattach the center rear panel after all devices are connected. If longer cables are used, excess portions can be stored in the space between the center rear panel and this unit.



Connecting a TV and BD/DVD player

For the cable connection, follow the procedure below. See page 19 in the Owner's Manual when connecting other playback devices such as a game console.



- HDMI cable (optional)**
Input the digital audio/video signals from the BD/DVD player to this unit.
- HDMI cable (optional)**
Digital video from the BD/DVD player is displayed on the TV.
- To an AC wall outlet**

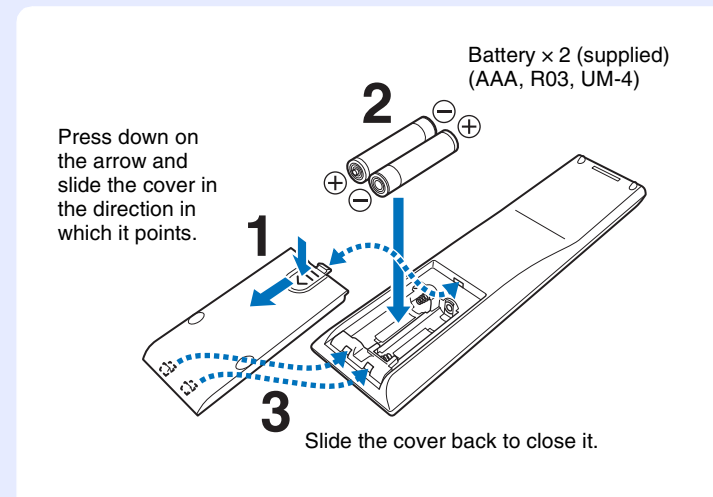
Tips

- Audio Return Channel (ARC) supported TV**
- Connect an HDMI cable to the audio return channel supported jack (the jack with "ARC" indicated) on TV.
 - Activate the HDMI control function of this unit so as to activate the Audio Return Channel (ARC). See page 29 in the Owner's Manual.

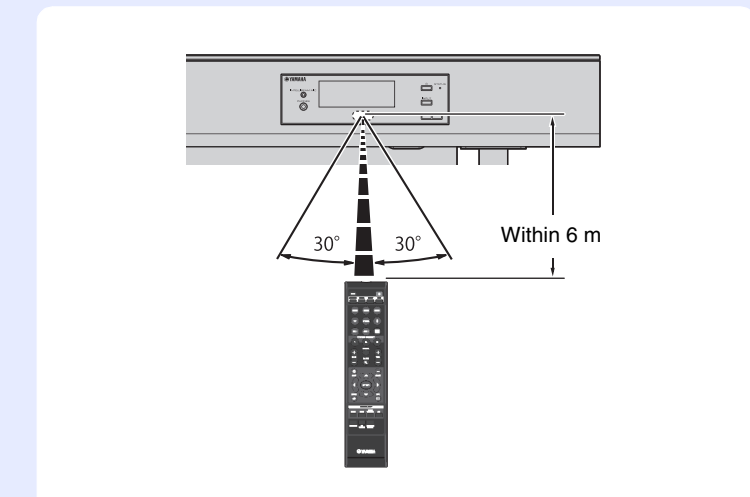
What is Audio Return Channel (ARC)?
A function transmits digital audio signal output from TV to this unit through an HDMI cable. By this function, an optical cable to connect TV and this unit is not needed.

Preparing remote control

Installing the batteries



Operation range

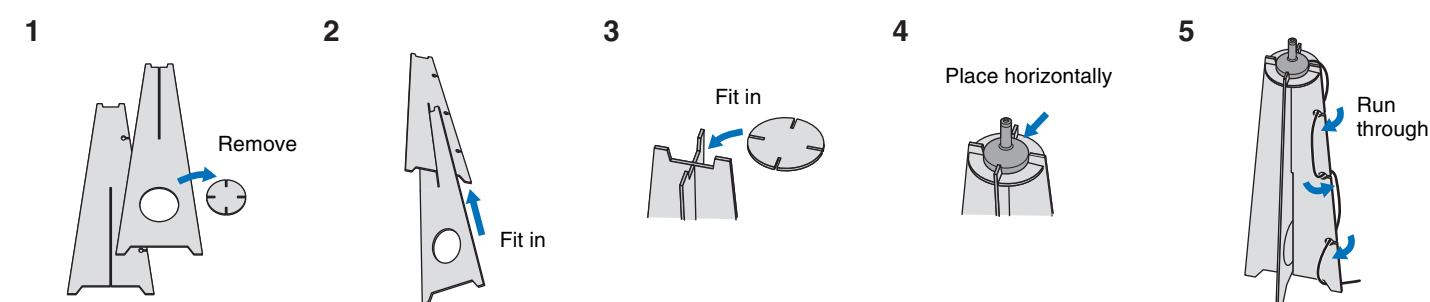


Carrying out AUTO SETUP for appropriate surround effects

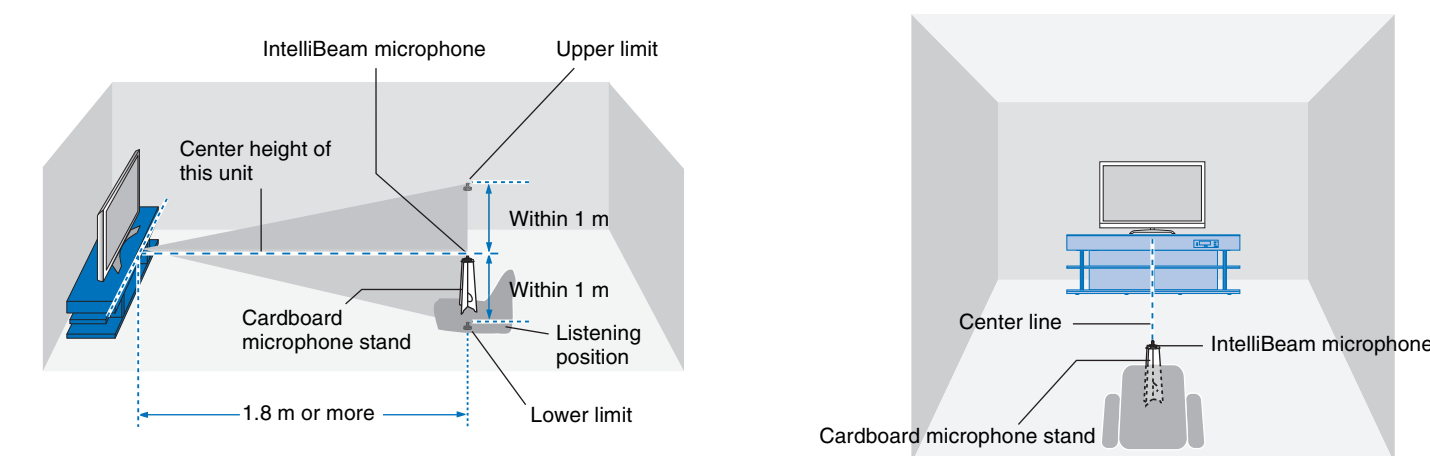
The IntelliBeam technology allows you to achieve sound adjustments that best match your listening environment. It is normal for loud test tones to be output during the AUTO SETUP procedure. Make sure that there are no children around in the listening room while the AUTO SETUP procedure is in progress.

1. Place the IntelliBeam microphone at your normal listening position.

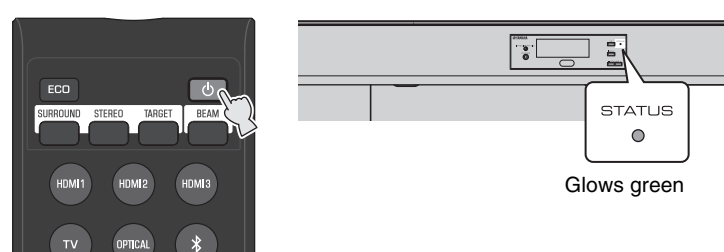
Assemble the cardboard microphone stand and place the IntelliBeam microphone on top of it horizontally as shown below.



Use the supplied cardboard microphone stand to place the IntelliBeam microphone at the same height as your ears would be when you are seated. Make sure that there are no obstacles between the IntelliBeam microphone and the walls in your listening room as these objects obstruct the path of sound beams.



2. Press the **POWER** key to turn on this unit.



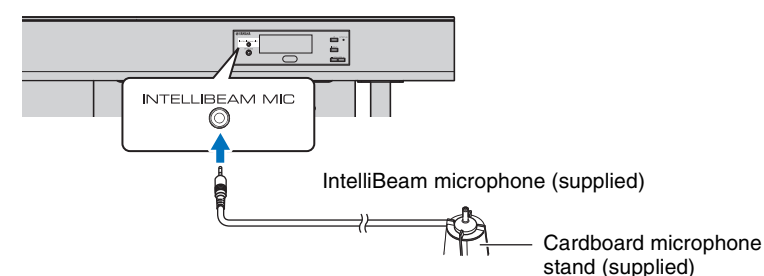
3. Turn the TV on and switch the TV's input to display video content from this unit.

When this unit is connected to the HDMI input on the TV (as shown in "Connecting a TV and BD/DVD player" in this Quick Reference Guide), switch the TV's input to "HDMI1".

Tip

You can select the language for the menu display. Press and hold the **SETUP** (⚙️) key until the "OSD LANGUAGE" menu appears. Press the **▲/▼** key to select the desired language. Press the **SETUP** (⚙️) key again to exit the setup menu.

4. Connect the IntelliBeam microphone to the INTELLIBEAM MIC jack on the rear of the unit.



AUTO SETUP (PREPARATION & CHECK)
Please connect the MIC.
Please place the MIC at least 1.8m/6ft away from Sound Projector. The MIC should be set at ear level when seated. Measurement takes about 3min. After [ENTER] is pressed, please leave the room.
[ENTER]:Start [RETURN]:Cancel

5. Make sure that your listening room is as quiet as possible.

For accurate measurement, turn off air conditioner or other devices that make noises.

Note

Follow the instructions below and then leave the room. If you remain in the room, you may obstruct the beam, or the microphone may pick up any sounds you make, possibly resulting in improper configuration of settings. When leaving the room, bring this Quick Reference Guide with you. The AUTO SETUP procedure takes about 3 minutes. Wait outside the room during the AUTO SETUP procedure. To cancel the AUTO SETUP procedure after it is started, press the **RETURN** (↩️) key on the remote control.

6. Press the **ENTER** key to start the AUTO SETUP procedure and then leave the room within 10 seconds.

The screen automatically changes during the AUTO SETUP procedure. If the AUTO SETUP procedure is complete, this unit rings the chimes and the results will be displayed on the TV.

Tip

- The results displayed depend on the position of the unit.
- If you hear a buzzer sound and an error message appears on the TV, look for a solution in "If an error message is displayed" on page 28 in the Owner's Manual.

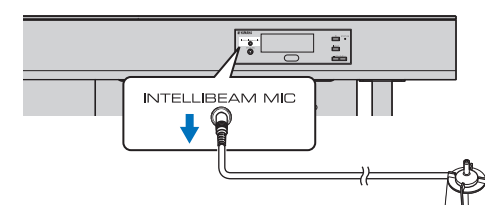
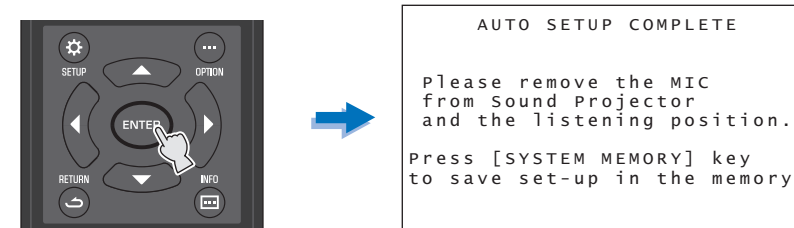
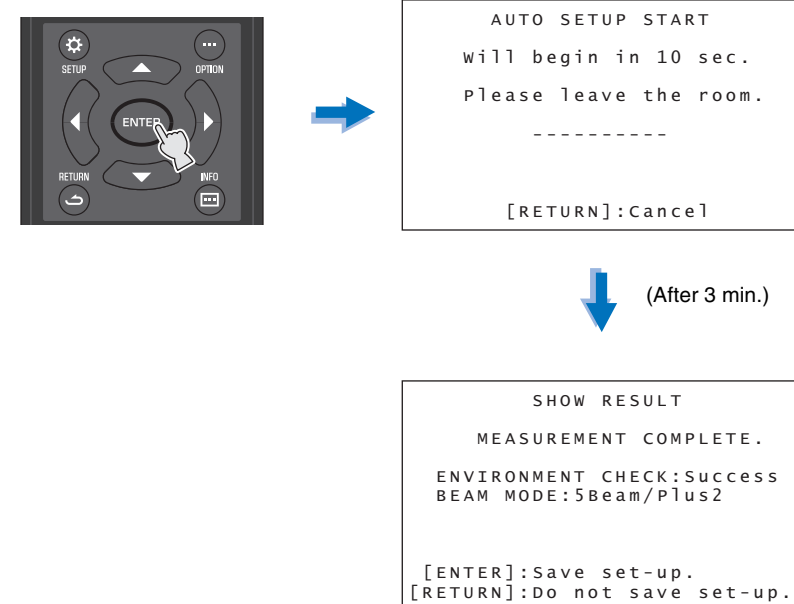
7. Press the **ENTER** key.

The measurement results are applied and saved in the unit.

- You can save several measurement results by pressing the **SYSTEM MEMORY** 1, 2, or 3 key. See page 40 in the Owner's Manual. When the **SYSTEM MEMORY** 1 key is pressed, "M1 Saving" is displayed, and settings are saved.
- If ambient noise is picked up after measurement begins, an error message is displayed in the "AUTO SETUP COMPLETE" screen prompting you to begin measurement again. Press the **ENTER** key to begin measurement again.

8. Remove the IntelliBeam microphone.

The IntelliBeam microphone is sensitive to heat, so should not be placed anywhere where it could be exposed to direct sunlight or high temperatures (such as on top of AV equipment).



Playing back

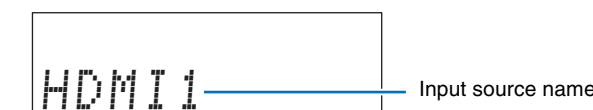
Confirm that this unit and other devices are properly connected by playing a DVD or BD on the BD/DVD player. The following explains the playback procedure when this unit, TV, and BD/DVD player are connected as shown in "Connecting a TV and BD/DVD player" in this Quick Reference Guide.



1. Press the **POWER** key to turn on this unit.

2. Turn on your TV and BD/DVD player connected to this unit.

3. Press the **HDMI1** key to select the BD/DVD player as the input source.



4. Switch the TV's input to HDMI 1.

5. Play back a DVD or BD on the BD/DVD player.

6. Press the **VOL (+/-)** key to adjust the volume.

7. Press the **CINEMA DSP** keys to set your sound preferences. See page 32 in the Owner's Manual.

Tip

When this unit does not play back, check the following

- The connection between this unit and BD/DVD player.
- The audio output settings of the BD/DVD player is set to digital sound output (bitstream).
- The TV's input is switched to this unit.

Listening to the sound from a Bluetooth device

You can listen to the wireless sound from a Bluetooth device, such as a smartphone or digital music player. See also the instructions manual of the Bluetooth device for more information.

1. Press the **BLUETOOTH** key on the remote control.

"Bluetooth" is selected as the input.



2. Turn on the Bluetooth device to be paired, and perform pairing.

The operation varies depending on the device. Refer to the operation manual of the device.

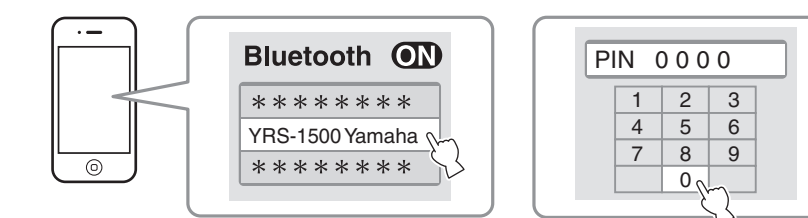
Tip

- Perform pairing with the Bluetooth device and unit within 10 m of each other.
- Pairing is required for connecting a Bluetooth device for the first time.

3. Select "YRS-2500 Yamaha" or "YRS-1500 Yamaha" in the Bluetooth device list on the device.

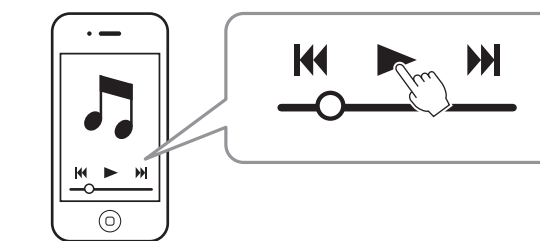
If a passkey (PIN) is required, enter the number "0000".

When pairing is completed, **BT** or a completion message appears on the Bluetooth device.



4. Play back a song on the Bluetooth device.

"BLUETOOTH", or the name of the connected device, is displayed in the front panel display. "_" is displayed for non-alphanumeric characters in the device name.



Enjoying TV

1. Select the desired TV channel.

2. Press the **TV** key.



Tip

- When audio is output from the TV speaker, set TV's audio output to any option other than TV. See the instructions manual of TV for more information.
- HDMI control function**
You can use the TV remote control to operate this unit if your TV supports the HDMI control function. See page 29 in the Owner's Manual.

HOME THEATER CONTROLLER app for smartphones and tablets

HOME THEATER CONTROLLER, a dedicated control app for Yamaha Home Theater components, enables basic operation of this unit, including the ability to turn it off, switch between input sources, adjust volume, and select a sound program, using a smartphone or tablet.

- The following devices support this app.
 - iPod touch (4th generation or later) running iOS 5.1.1 or later
 - iPhone 3GS or later devices running iOS 5.1.1 or later
 - iPad running iOS 5.1.1 or later
 - Android (version 2.3.3 or later) devices
- This app uses Bluetooth wireless communication.
- Search "HOME THEATER CONTROLLER" on Apple's App Store or Google Play's website to download the app or obtain the latest information on the app.
- Android is a trademark of Google Inc.
- iPad, iPhone, iPod, and iPod touch are trademarks of Apple Inc., registered in the U.S. and other countries.

For detailed operation, refer to the Owner's Manual.