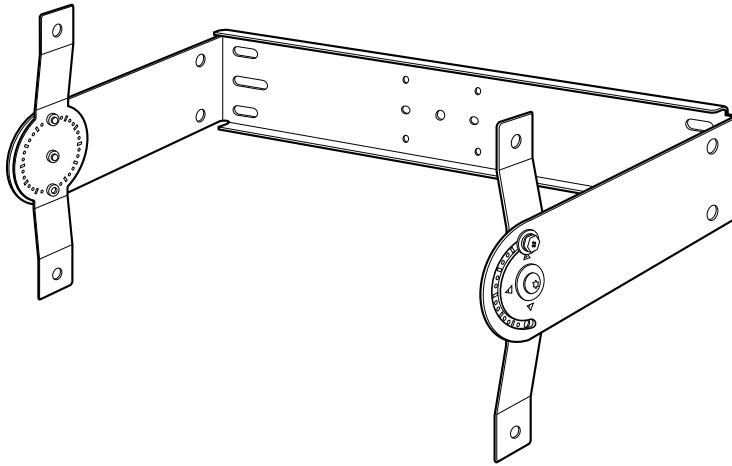
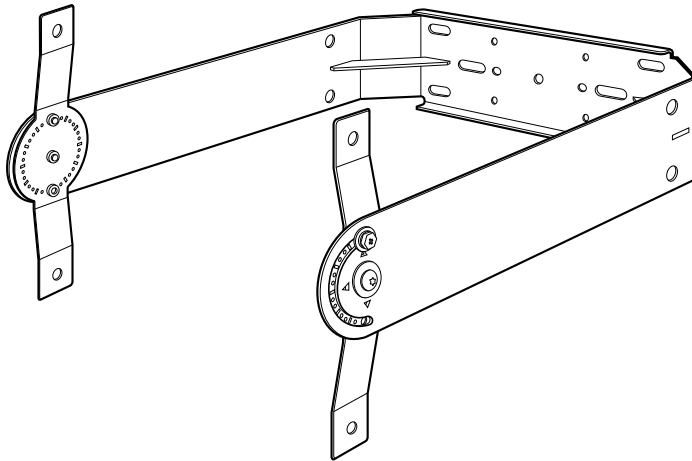


U-BRACKET

UB-DZR15H UB-DZR12H UB-DZR10H



UB-DZR15V UB-DZR12V UB-DZR10V



EN	Owner's Manual
DE	Bedienungsanleitung
FR	Mode d'emploi
ES	Manual de instrucciones
PT	Manual do Proprietário
IT	Manuale di istruzioni
RU	Руководство пользователя
ZH	使用说明书
JA	取扱説明書

SPEAKER BRACKET

English

Deutsch

Français

Español

Português

Italiano

Русский

中文

日本語

Introduction

Thank you for purchasing the Yamaha UB-DZR15H, UB-DZR12H, UB-DZR10H, UB-DZR15V, UB-DZR12V, or UB-DZR10V U-BRACKET. This product is a bracket designed for use in installation of the Yamaha CZR and DZR series speakers. This manual explains how to attach the bracket to a speaker when installation personnel use this bracket to install the speaker to a wall or ceiling. Please read this manual thoroughly before you begin using this product in order to use it properly. After reading this manual, please keep it available for future reference.

- The example illustrations used in this manual are taken from the UB-DZR12H and UB-DZR12V, if not otherwise specified. Example illustrations of the corresponding speaker are taken from the CZR12.
- The contents of this manual apply to the latest specifications as of the publishing date. To obtain the latest manual, access the Yamaha website then download the manual file.

Contents

Introduction	2	Horizontal Bracket (UB-DZR15H, UB-DZR12H, and UB-DZR10H) Installation.....	4
PRECAUTIONS	2	Vertical Bracket (UB-DZR15V, UB-DZR12V, and UB-DZR10V) Installation	5
Package Contents.....	3	Installation Examples (English only)	38
Compatible Speaker Models.....	3	Optional Brackets (sold separately) (English only)	39
Check Before Installation	3	Dimensions (English only)	40

PRECAUTIONS

PLEASE READ CAREFULLY BEFORE PROCEEDING

Please keep this manual in a safe place for future reference.

WARNING

Always follow the basic precautions listed below to avoid the possibility of serious injury or even death from electrical shock, short-circuiting, damages, fire or other hazards. These precautions include, but are not limited to, the following:

Do not open

- This product contains no user-serviceable parts. Do not attempt to disassemble the internal parts or modify them in any way.

Setting

- Do not attach this product to any speaker not specified as compatible. Doing so may result in damage or injury.

CAUTION

Always follow the basic precautions listed below to avoid the possibility of physical injury to you or others, or damage to the product or other property. These precautions include, but are not limited to, the following:

Setting

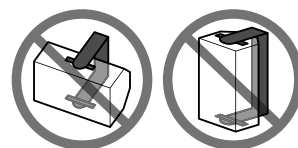
- Always consult qualified Yamaha service personnel if the product installation requires construction work, and make sure to observe the following precautions.
 - Choose mounting hardware and an installation location that can support the weight of the product.
 - Avoid locations that are exposed to constant vibration.
 - Use the required tools to install the product.
 - Inspect the product periodically.

NOTICE

To avoid the possibility of malfunction/damage to the product, or damage to other property, follow the notices below.

■ Handling

- Do not use a vertical bracket if installing a speaker horizontally. Do not use a horizontal bracket if installing a speaker vertically. The speaker weight may cause bracket deformation if the improper bracket is used.



Information





■ About this manual

- The illustrations as shown in this manual are for instructional purposes only.
- The company names and product names in this manual are the trademarks or registered trademarks of their respective companies.

■ About disposal

- This product contains recyclable components. When disposing of this product, please contact the appropriate local authorities.

Package Contents

Accessories		Qty.	Comments
M8×30 hexagon bolts with flat washer and spring washer		6	<ul style="list-style-type: none"> • For cabinet installation ×4 • For separately sold brackets* ×2
Knob screws with flat washer and spring washer		2	Can be used in place of the angle-fixing bolts during temporary installation.
M8 flat washers		2	For separately sold brackets*
M8 hexagon nuts		2	For separately sold brackets*
Owner's Manual	(this book)	1	—

* Used together with the optional brackets sold separately shown on page 39.

Compatible Speaker Models

Model	Use	Compatible speakers
UB-DZR15H	Horizontal installation	CZR15, DZR15, DZR15-D
UB-DZR12H		CZR12, DZR12, DZR12-D
UB-DZR10H		CZR10, DZR10, DZR10-D
UB-DZR15V	Vertical installation	CZR15, DZR15, DZR15-D
UB-DZR12V		CZR12, DZR12, DZR12-D
UB-DZR10V		CZR10, DZR10, DZR10-D



WARNING

Do not attach this product to any speaker not specified as compatible. Doing so may result in damage or injury.

Check Before Installation

- Fittings, bolts, and other items for installing the bracket to a wall or ceiling are not included. If you are not sure what fittings to use, consult a specialist.
- First attach this bracket to the speaker before installing it to a wall or ceiling. We recommend that you securely install the bracket to a wall or ceiling using the proper fittings and bolts after attaching bracket to the speaker.



CAUTION

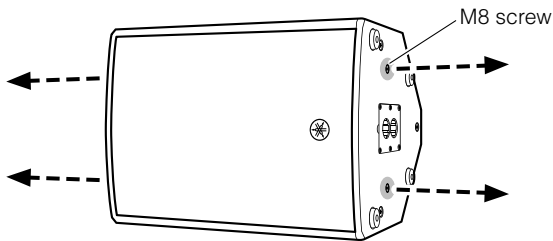
- Make sure that the installation surface is strong enough to support the total weight of the speaker and the U-bracket. If you are not sure about the installation surface, consult a specialist. Avoid attaching the U-bracket to drywall such as acoustic tiles.
- Make sure that you do not pinch your fingers between the U-bracket and speaker.
- Make sure to take precautionary measures using wires to prevent the speaker from falling down in the event of an installation failure.

Yamaha cannot be held responsible for damage or injury caused by insufficient strength of the support structure or improper installation.

Horizontal Bracket (UB-DZR15H, UB-DZR12H, and UB-DZR10H) Installation

1. Remove the M8 screws (four total) from both the top and bottom faces of the speaker.

Use a 5 mm hexagon wrench.

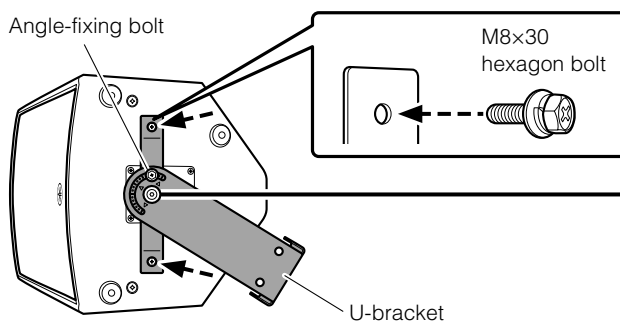


NOTE

Carefully store the screws removed from the speaker so that they are not lost. Using the speaker with the screws removed will negatively affect sound quality due to air leakage because the screw holes penetrate the inside of the speaker cabinet. Re-install the screws to the original screw holes after removing the U-bracket.

2. Use the accessory M8x30 hexagon bolts (four total) to secure both sides of the U-bracket to the speaker.

Use a 13 mm wrench. The recommended torque is 6.2 Nm.



WARNING

Never loosen the center screw. Doing so may result in the speaker falling and possible injury. If it becomes loose, retighten it to a torque of 12.4 Nm or more.

3. Use a wrench to temporarily tighten the angle-fixing bolts on both sides, and install to the wall or ceiling.

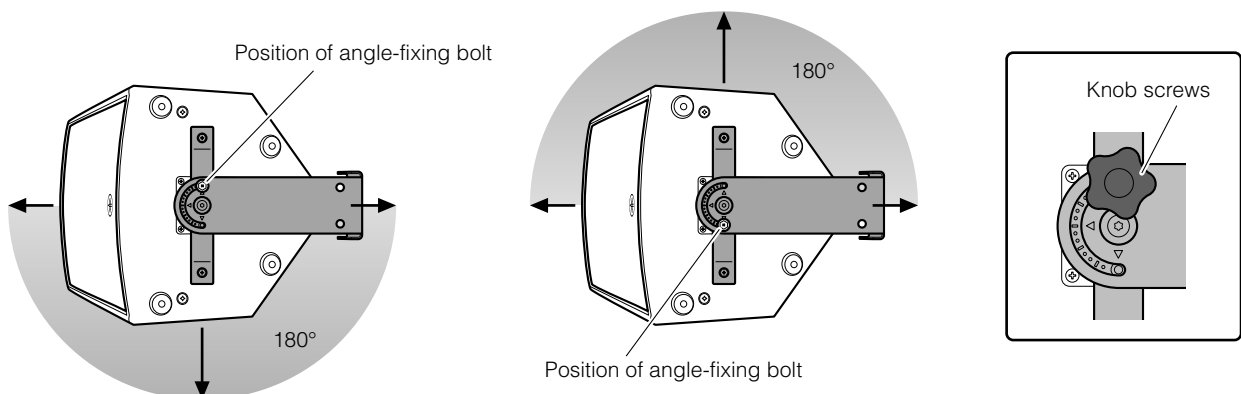


CAUTION

Failure to temporarily tighten the bolts may result in the speaker or U-bracket rotating during installation and possible injury.

4. Hold the speaker with your hand to prevent it from rotating, then loosen the angle-fixing bolts. Adjust the speaker angle, then use a wrench to tighten the angle-fixing bolts until the speaker is thoroughly secured in position.

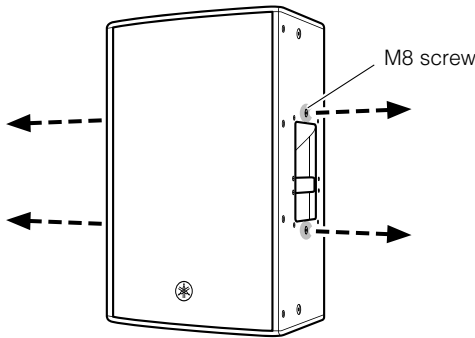
- You can adjust the direction of an installed speaker in a range of 180°. You can also install the angle-fixing bolts to the other screw holes in order to adjust 180° in the opposite direction.
- You can also use the accessory knob screws in place of the angle-fixing bolts when installing temporarily and tighten these by hand. However, when installing permanently, use the angle-fixing bolts and make sure they are securely tightened. The recommended torque is 12.4 Nm.



Vertical Bracket (UB-DZR15V, UB-DZR12V, and UB-DZR10V) Installation

1. Remove the M8 screws (four total) from both sides of the speaker.

Use a 5 mm hexagon wrench.

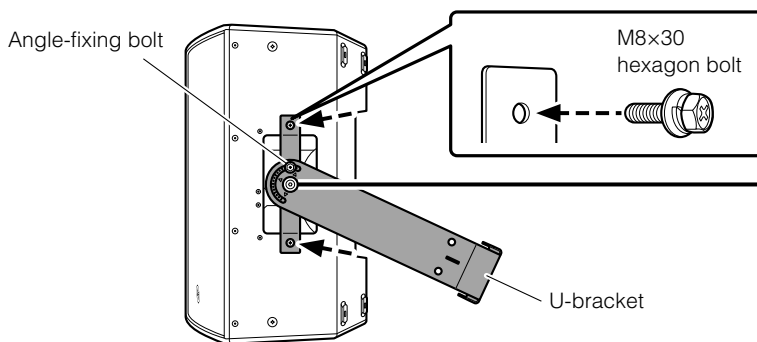


NOTE

Carefully store the screws removed from the speaker so that they are not lost. Using the speaker with the screws removed will negatively affect sound quality due to air leakage because the screw holes penetrate the inside of the speaker cabinet. Re-install the screws to the original screw holes after removing the U-bracket.

2. Use the accessory M8x30 hexagon bolts (four total) to secure both sides of the U-bracket to the speaker.

Use a 13 mm wrench. The recommended torque is 6.2 Nm.



WARNING

Never loosen the center screw. Doing so may result in the speaker falling and possible injury. If it becomes loose, retighten it to a torque of 12.4 Nm or more.

3. Use a wrench to temporarily tighten the angle-fixing bolts on both sides, and install to the wall or ceiling.

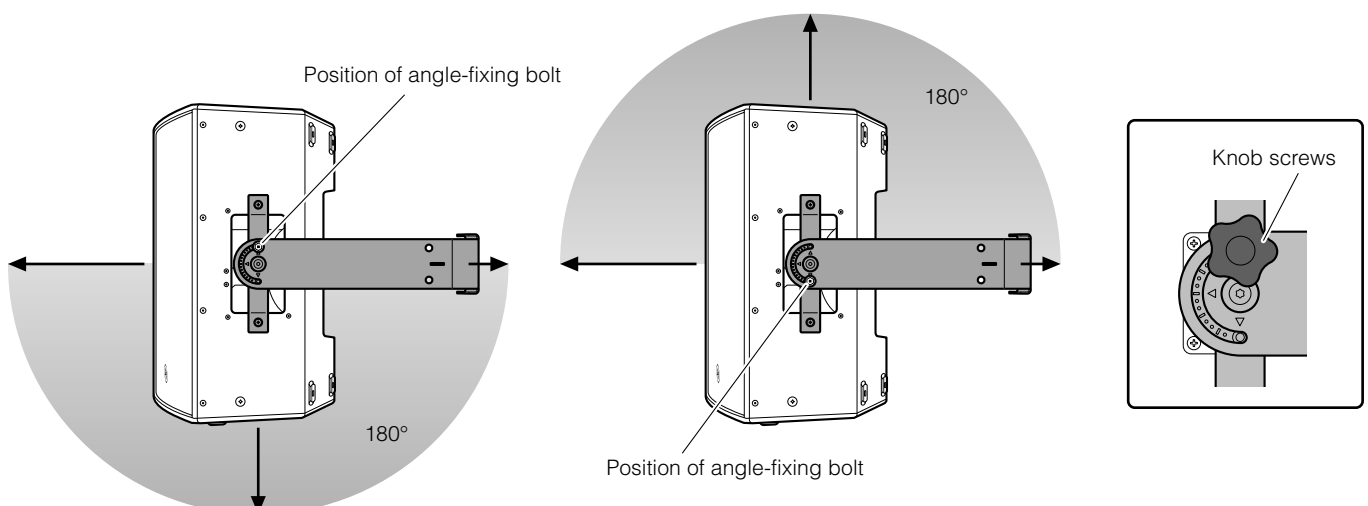


CAUTION

Failure to temporarily tighten the bolts may result in the speaker or U-bracket rotating during installation and possible injury.

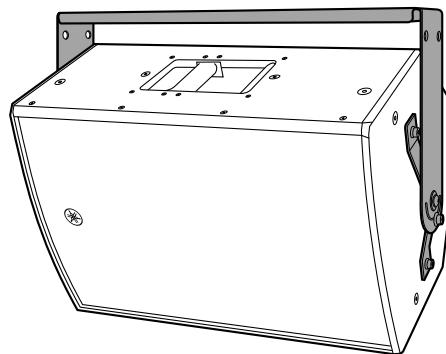
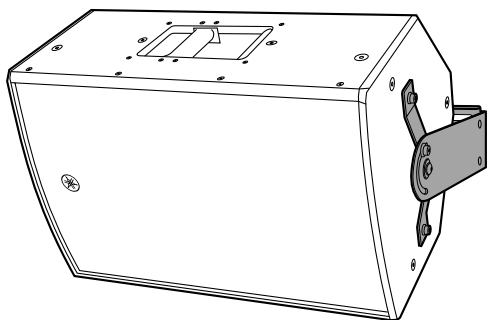
4. Hold the speaker with your hand to prevent it from rotating, then loosen the angle-fixing bolts. Adjust the speaker angle, then use a wrench to tighten the angle-fixing bolts until the speaker is thoroughly secured in position.

- You can adjust the direction of an installed speaker in a range of 180°. You can also install the angle-fixing bolts to the other screw holes in order to adjust 180° in the opposite direction.
- You can also use the accessory knob screws in place of the angle-fixing bolts when installing temporarily and tighten these by hand. However, when installing permanently, use the angle-fixing bolts and make sure they are securely tightened. The recommended torque is 12.4 Nm.

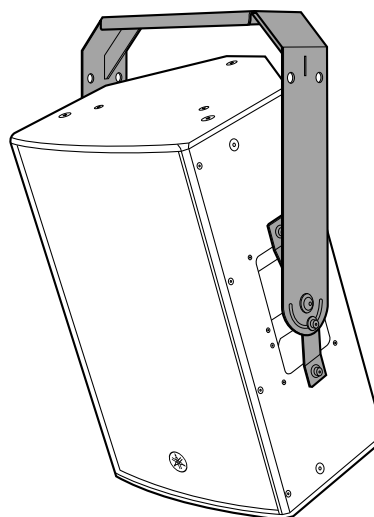
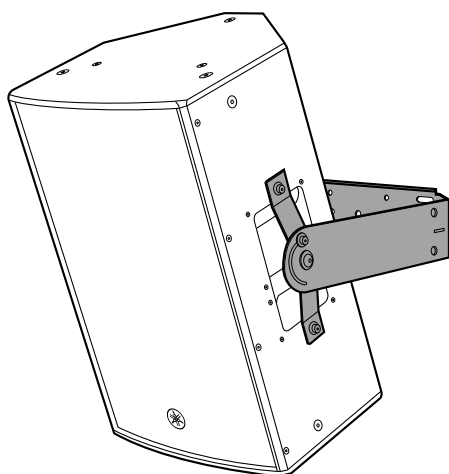


Installation Examples

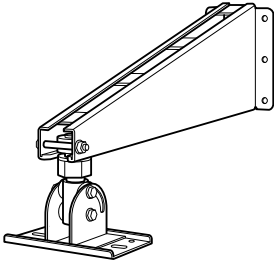
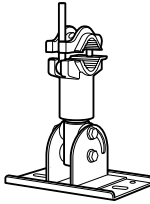
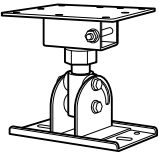
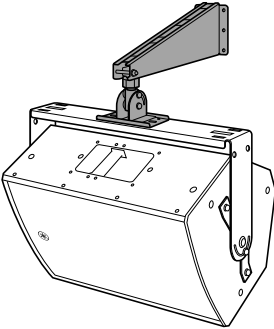
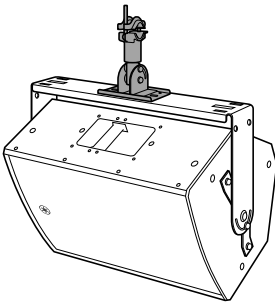
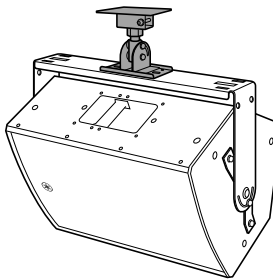
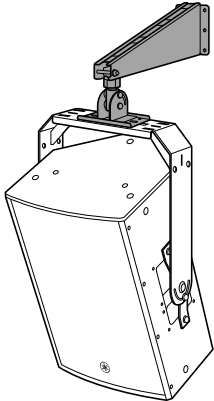
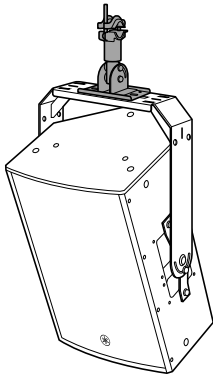
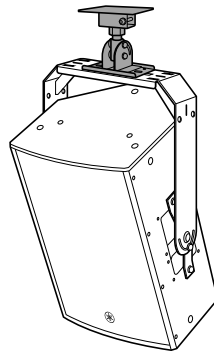
■ UB-DZR15H, UB-DZR12H, UB-DZR10H



■ UB-DZR15V, UB-DZR12V, UB-DZR10V



Optional Brackets (sold separately)

		Wall Bracket	Baton Bracket	Ceiling Bracket
				
Bracket Model	Speaker Model	BWS251-400 BWS251-300	BBS251	BCS251
UB-DZR15H UB-DZR15V	CZR15	✓	✓	✓
	DZR15 DZR15-D	—	—	—
UB-DZR12H UB-DZR12V	CZR12 DZR12 DZR12-D	✓	✓	✓
UB-DZR10H UB-DZR10V	CZR10 DZR10 DZR10-D	✓	✓	✓
Examples				
				

English

Deutsch

Français

Español

Português

Italiano

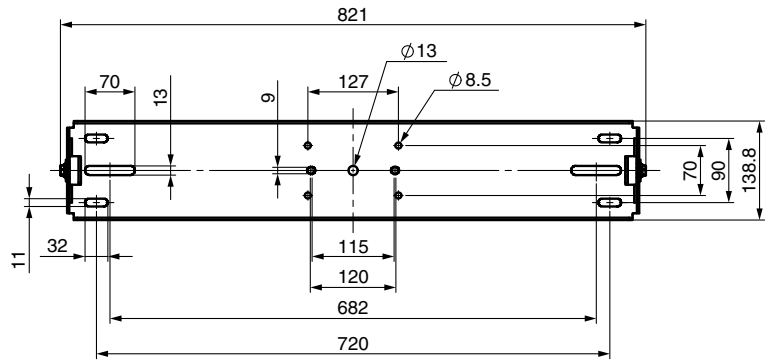
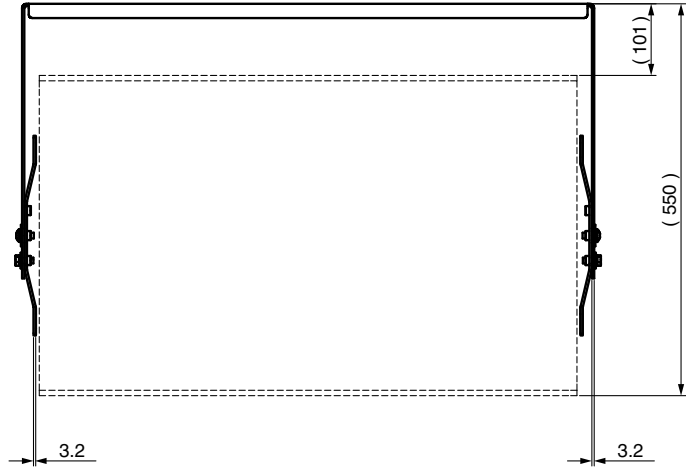
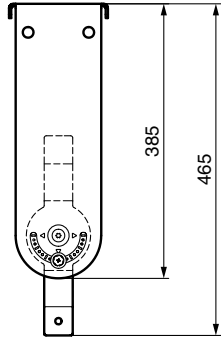
Русский

中文

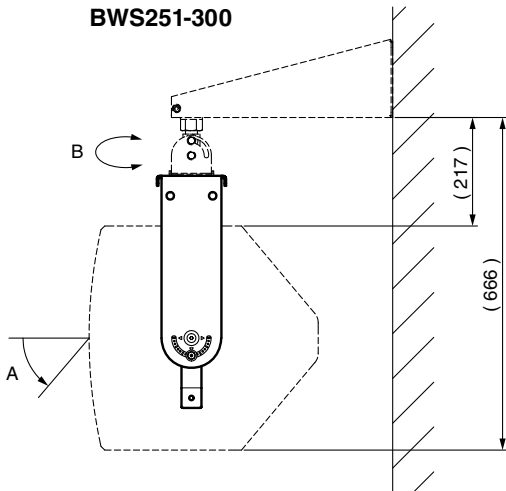
日本語

Dimensions

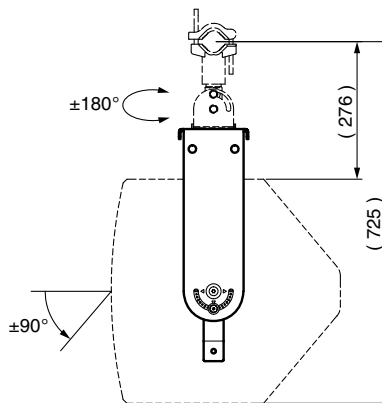
■ UB-DZR15H



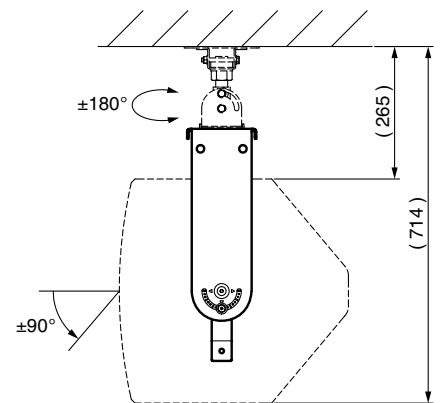
BWS251-400 BWS251-300



BBS251



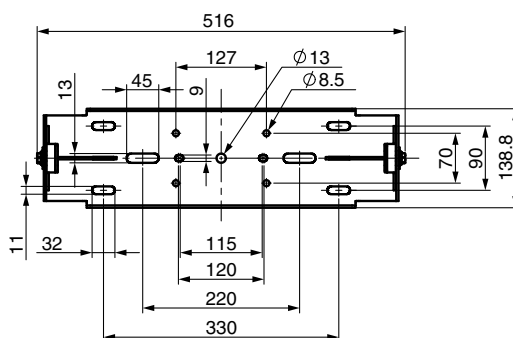
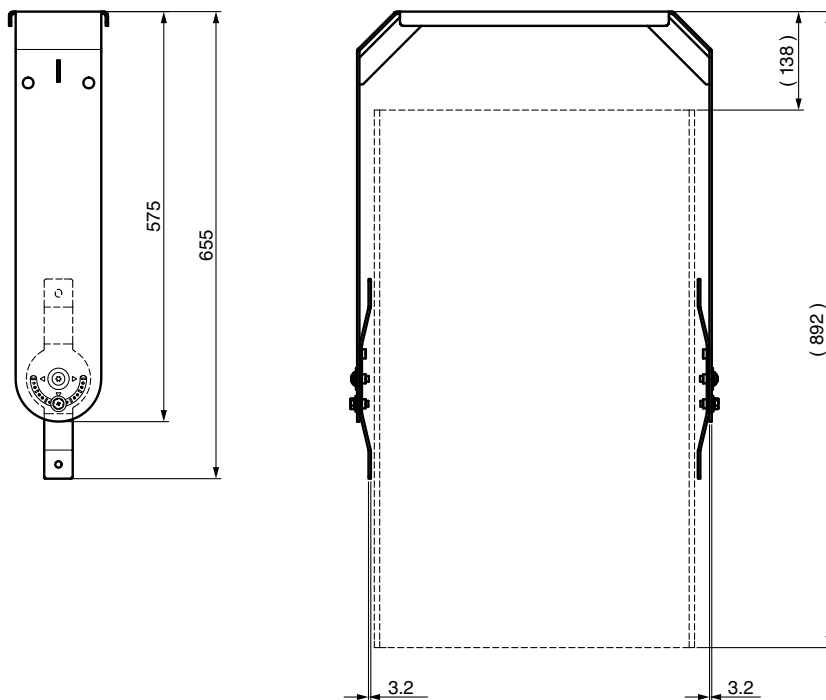
BCS251



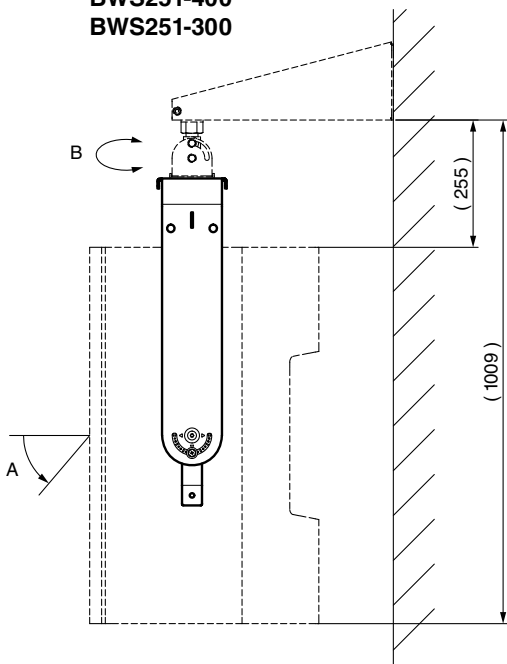
	A	B
BWS251-400	$\pm 90^\circ$	$\pm 27^\circ$
BWS251-300	$\pm 90^\circ$	$\pm 6^\circ$

Unit: mm
Weight: 6.2 kg

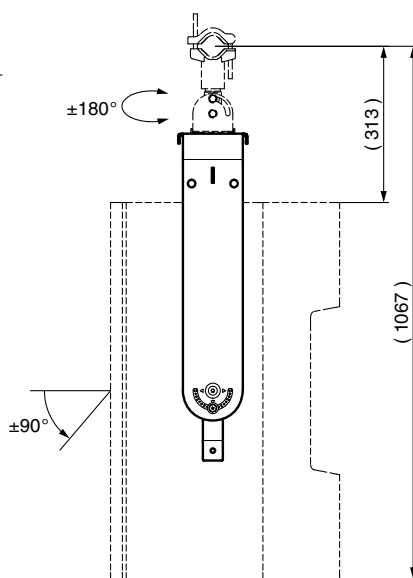
■ UB-DZR15V



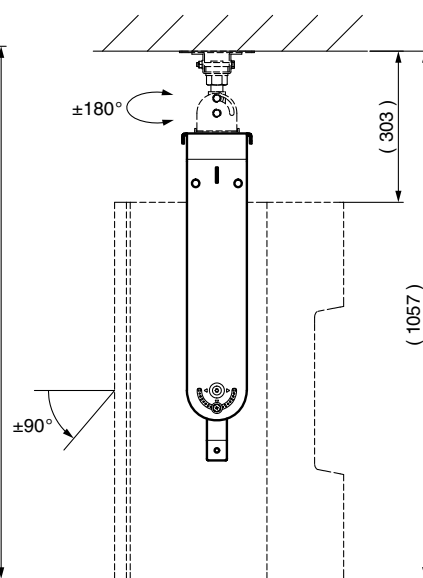
BWS251-400
BWS251-300



BBS251



BCS251



	A	B
BWS251-400	±28°	±180°
BWS251-300	±7°	±180°

Unit: mm
Weight: 5.9 kg

English

Deutsch

Français

Español

Português

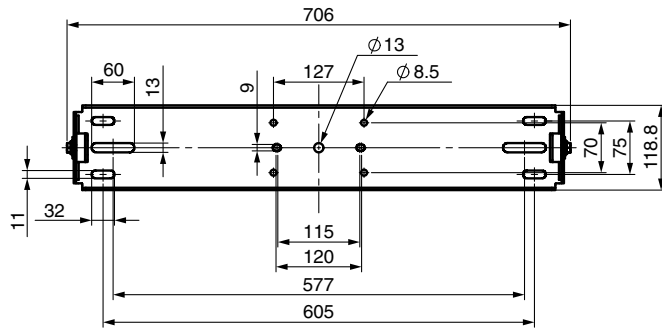
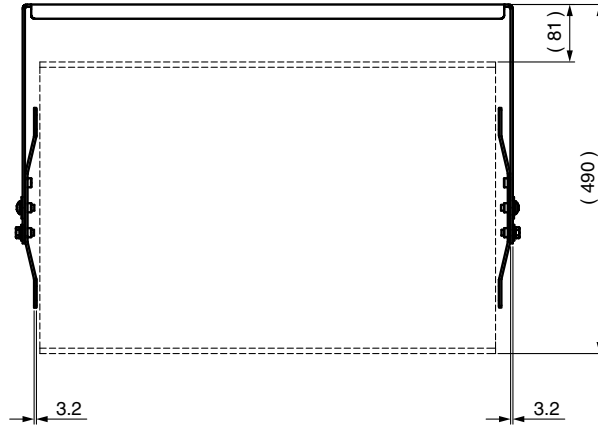
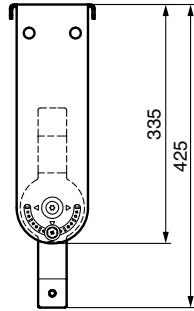
Italiano

Русский

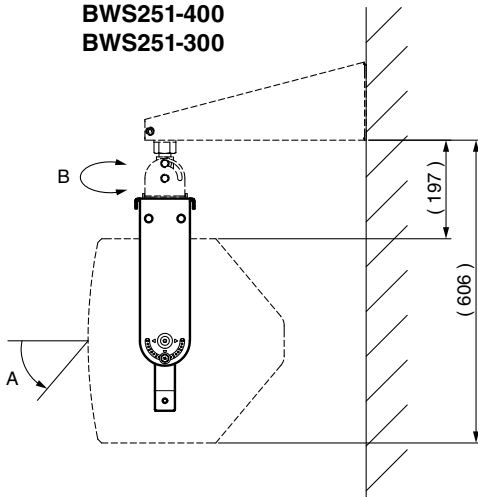
中文

日本語

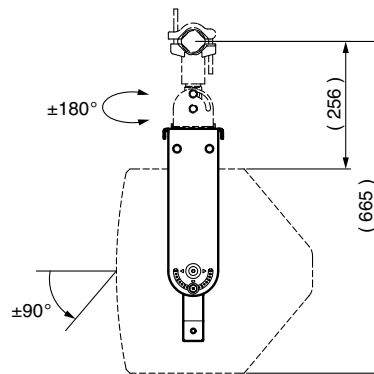
■ UB-DZR12H



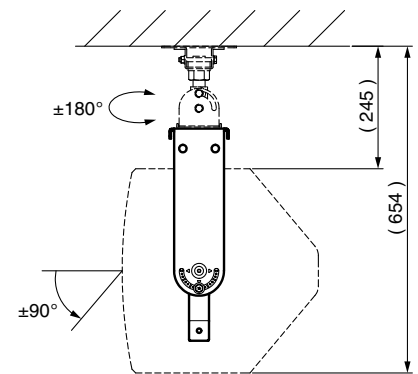
BWS251-400
BWS251-300



BBS251



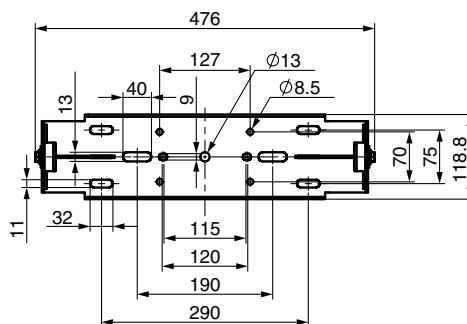
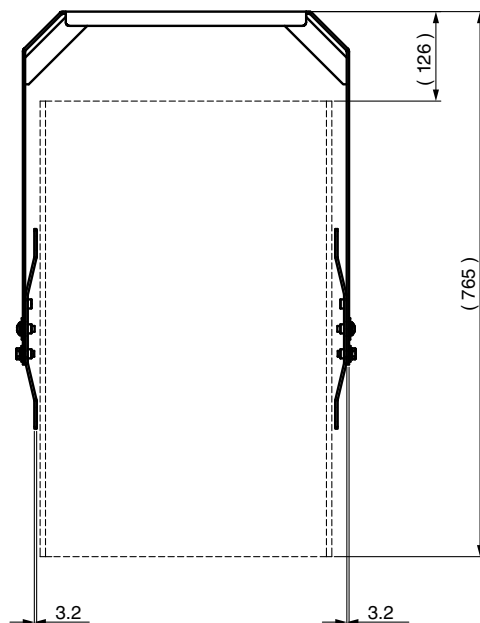
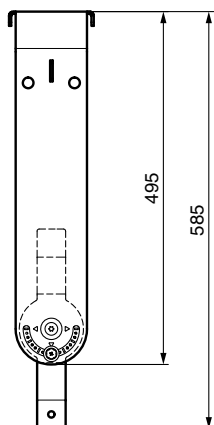
BCS251



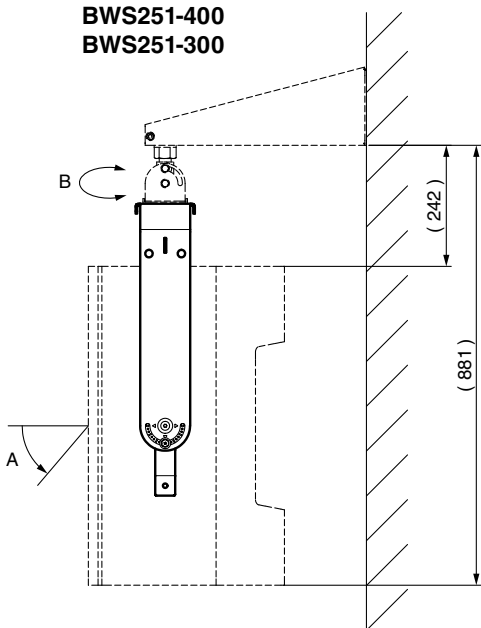
	A	B
BWS251-400	$\pm 90^\circ$	$\pm 180^\circ$
BWS251-300	$\pm 90^\circ$	$\pm 11^\circ$

Unit: mm
Weight: 4.7 kg

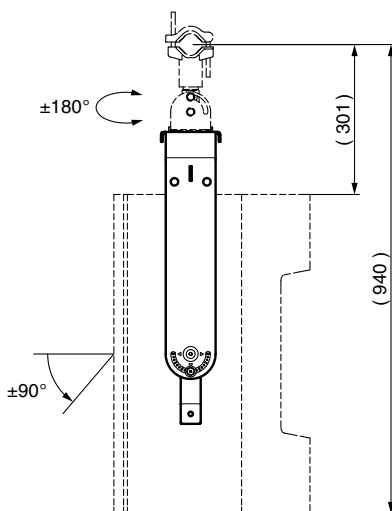
■ UB-DZR12V



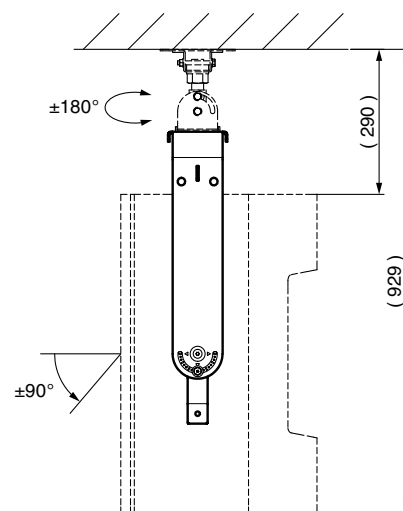
BWS251-400
BWS251-300



BBS251



BCS251



	A	B
BWS251-400	$\pm 90^\circ$	$\pm 180^\circ$
BWS251-300	$\pm 11^\circ$	$\pm 180^\circ$

Unit: mm
Weight: 4.7 kg

English

Deutsch

Français

Español

Português

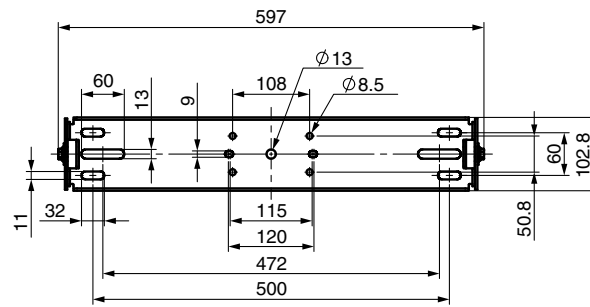
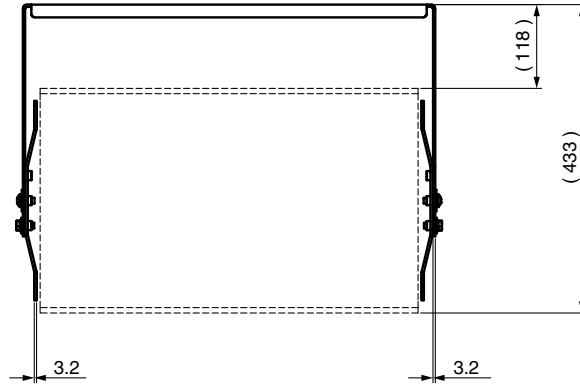
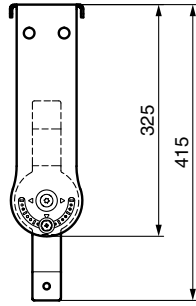
Italiano

Русский

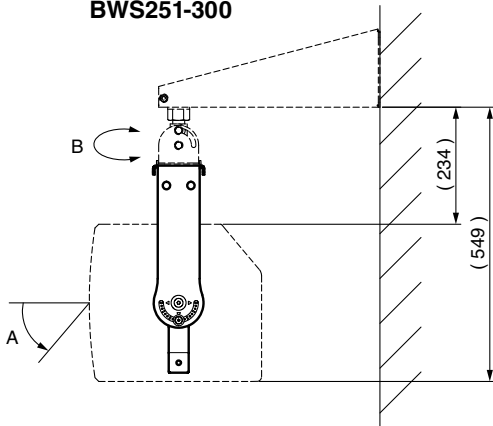
中文

日本語

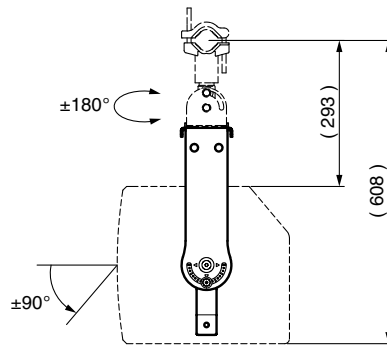
■ UB-DZR10H



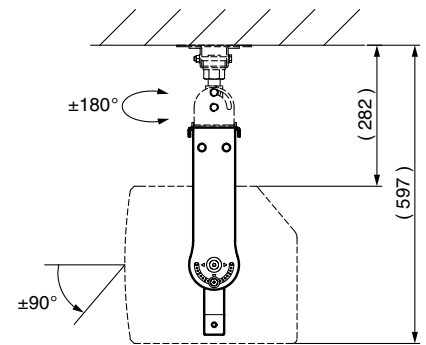
BWS251-400
BWS251-300



BBS251



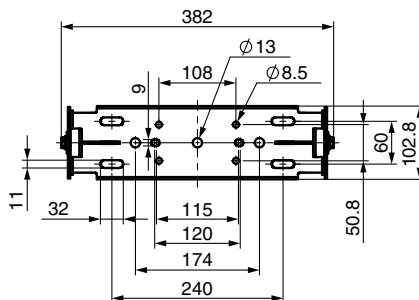
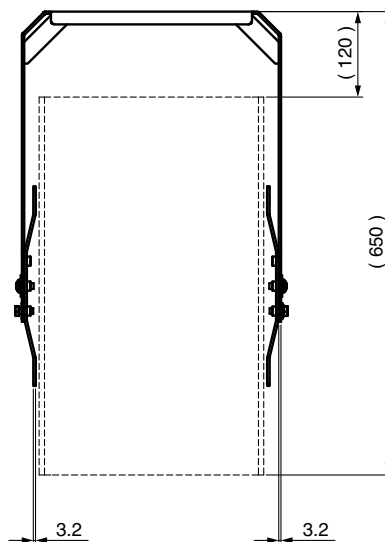
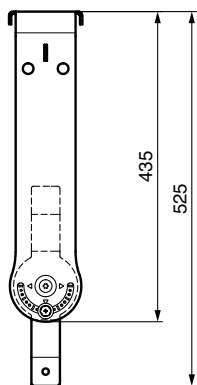
BCS251



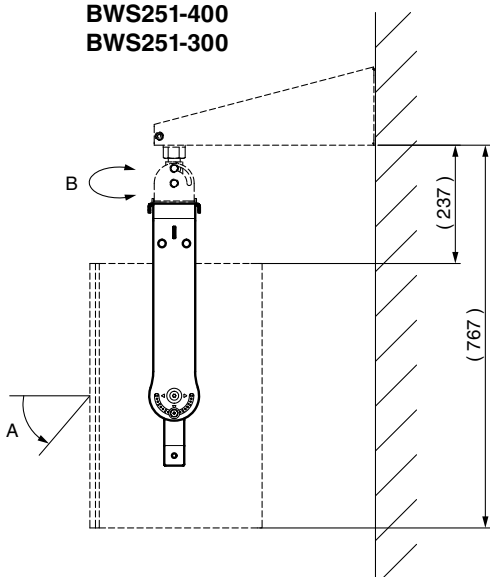
	A	B
BWS251-400	±90°	±180°
BWS251-300	±90°	±36°

Unit: mm
Weight: 3.8 kg

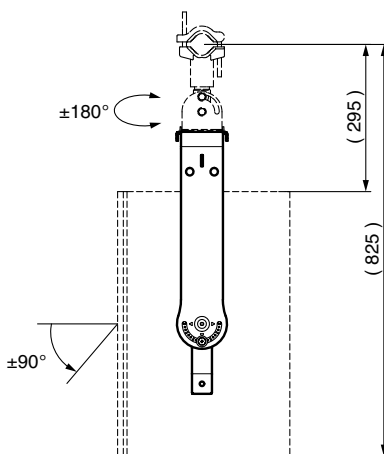
■ UB-DZR10V



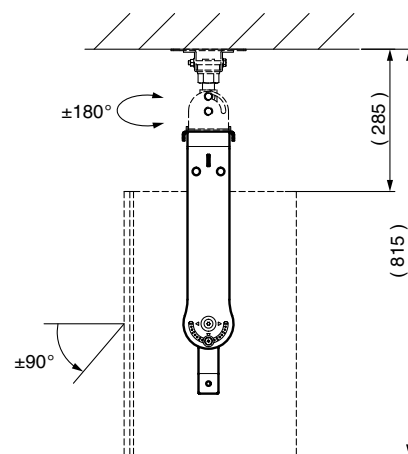
BWS251-400
BWS251-300



BBS251



BCS251



	A	B
BWS251-400	±90°	±180°
BWS251-300	±35°	±180°

Unit: mm
Weight: 3.6 kg

English

Deutsch

Français

Español

Português

Italiano

Русский

中文

日本語

ADDRESS LIST

NORTH AMERICA

CANADA

Yamaha Canada Music Ltd.
135 Milner Avenue, Toronto, Ontario,
M1S 3R1, Canada
Tel: +1-416-298-1311

U.S.A.

Yamaha Corporation of America
6600 Orangethorpe Avenue, Buena Park, CA 90620,
U.S.A.
Tel: +1-714-522-9011

CENTRAL & SOUTH AMERICA

MEXICO

Yamaha de México, S.A. de C.V.
Av. Insurgentes Sur 1647 Piso 9, Col. San José
Insurgentes, Delegación Benito Juárez, México,
D.F., C.P. 03900, México
Tel: +52-55-5804-0600

BRAZIL

Yamaha Musical do Brasil Ltda.
Rua Fidêncio Ramos, 302 – Cj 52 e 54 – Torre B – Vila
Olimpia – CEP 04551-010 – São Paulo/SP, Brazil
Tel: +55-11-3704-1377

ARGENTINA

**Yamaha Music Latin America, S.A.,
Sucursal Argentina**
Olga Cossetini 1553, Piso 4 Norte,
Madero Este-C1107CEK,
Buenos Aires, Argentina
Tel: +54-11-4119-7000

PANAMA AND OTHER LATIN AMERICAN COUNTRIES/ CARIBBEAN COUNTRIES

Yamaha Music Latin America, S.A.
Edif. Torre Banco General, Piso 7, Urbanización
Marbella, Calle 47 y Aquilino de la Guardia,
Ciudad de Panamá, República de Panamá
Tel: +507-269-5311

EUROPE

THE UNITED KINGDOM/IRELAND

Yamaha Music Europe GmbH (UK)
Sherbourne Drive, Tilbrook, Milton Keynes,
MK7 8BL, U.K.
Tel: +44-1908-366700

GERMANY

Yamaha Music Europe GmbH
Siemensstrasse 22-34, 25462 Rellingen, Germany
Tel: +49-4101-303-0

SWITZERLAND/LIECHTENSTEIN

**Yamaha Music Europe GmbH, Branch
Switzerland in Thalwil**
Seestrasse 18a, 8800 Thalwil, Switzerland
Tel: +41-44-3878080

AUSTRIA/BULGARIA/ CZECH REPUBLIC/HUNGARY/ ROMANIA/SLOVAKIA/SLOVENIA

**Yamaha Music Europe GmbH
Branch Austria**
Schleiergasse 20, 1100 Wien, Austria
Tel: +43-1-60203900

POLAND

**Yamaha Music Europe GmbH
Sp.z o.o. Oddział w Polsce**
ul. Wielicka 52, 02-657 Warszawa, Poland
Tel: +48-22-880-08-88

MALTA

Olimpus Music Ltd.
Valletta Road, Mosta MST9010, Malta
Tel: +356-2133-2093

NETHERLANDS/BELGIUM/ LUXEMBOURG

Yamaha Music Europe Branch Benelux
Clarissenhof 5b, 4133 AB Vianen, The Netherlands
Tel: +31-347-358040

FRANCE

Yamaha Music Europe
7 rue Ambroise Croizat, Zone d'activités de Pariest,
77183 Croissy-Beaubourg, France
Tel: +33-1-6461-4000

ITALY

Yamaha Music Europe GmbH, Branch Italy
Via Tinelli N.67/69 20855 Gerno di Lesmo (MB),
Italy
Tel: +39-039-9065-1

SPAIN/PORTUGAL

**Yamaha Music Europe GmbH Ibérica, Sucursal
en España**
Ctra. de la Coruña km. 17,200, 28231
Las Rozas de Madrid, Spain
Tel: +34-91-639-88-88

GREECE

Philippos Nakas S.A. The Music House
19th klm. Leof. Lavriou 190 02 Peania – Attiki,
Greece
Tel: +30-210-6686168

SWEDEN/FINLAND/ICELAND

**Yamaha Music Europe GmbH Germany filial
Scandinavia**
JA Wettergrensgata 1, 400 43 Göteborg, Sweden
Tel: +46-31-89-34-00

DENMARK

**Yamaha Music Denmark,
Filial of Yamaha Music Europe GmbH, Tyskland**
Generatorvej 8C, ST. TH. , 2860 Søborg, Denmark
Tel: +45-44-92-49-00

NORWAY

**Yamaha Music Europe GmbH Germany -
Norwegian Branch**
Grini Næringspark 1, 1332 Østerås, Norway
Tel: +47-6716-7800

CYPRUS

Yamaha Music Europe GmbH
Siemensstrasse 22-34, 25462 Rellingen, Germany
Tel: +49-4101-303-0

RUSSIA

Yamaha Music (Russia) LLC.
Room 37, entrance 7, bld. 7, Kievskaya street,
Moscow, 121059, Russia
Tel: +7-495-626-5005

OTHER EUROPEAN COUNTRIES

Yamaha Music Europe GmbH
Siemensstrasse 22-34, 25462 Rellingen, Germany
Tel: +49-4101-3030

AFRICA

Yamaha Music Gulf FZE
JAFZA-16, Office 512, P.O.Box 17328,
Jebel Ali FZE, Dubai, UAE
Tel: +971-4-801-1500

MIDDLE EAST

TURKEY

**Yamaha Music Europe GmbH
Merkezi Almanya Türkiye İstanbul Şubesi**
Maslak Meydanı Sodalık, Spring Giz Plaza Bagimsiz
Böl. No:3, Sariyer İstanbul, Turkey
Tel: +90-212-999-8010

OTHER COUNTRIES

Yamaha Music Gulf FZE
JAFZA-16, Office 512, P.O.Box 17328,
Jebel Ali FZE, Dubai, UAE
Tel: +971-4-801-1500

ASIA

THE PEOPLE'S REPUBLIC OF CHINA

Yamaha Music & Electronics (China) Co.,Ltd.
2F, Yunhedasha, 1818 Xinzha-lu, Jingan-qu,
Shanghai, China
Tel: +86-400-051-7700

INDIA

Yamaha Music India Private Limited
P-401, JMD Megapolis, Sector-48, Sohna Road,
Gurgaon-122018, Haryana, India
Tel: +91-124-485-3300

INDONESIA

PT. Yamaha Musik Indonesia (Distributor)
Yamaha Music Center Bldg. Jalan Jend. Gatot
Subroto Kav. 4, Jakarta 12930, Indonesia
Tel: +62-21-520-2577

KOREA

Yamaha Music Korea Ltd.
8F, Dongsung Bldg. 21, Teheran-ro 87-gil,
Gangnam-gu, Seoul, 06169, Korea
Tel: +82-2-3467-3300

MALAYSIA

Yamaha Music (Malaysia) Sdn. Bhd.
No.8, Jalan Perbandaran, Kelana Jaya, 47301
Petaling Jaya, Selangor, Malaysia
Tel: +60-3-78030900

SINGAPORE

Yamaha Music (Asia) Private Limited
Block 202 Hougang Street 21, #02-00,
Singapore 530202, Singapore
Tel: +65-6740-9200

TAIWAN

Yamaha Music & Electronics Taiwan Co.,Ltd.
2F., No.1, Yuandong Rd., Banqiao Dist.,
New Taipei City 22063, Taiwan (R.O.C.)
Tel: +886-2-7741-8888

THAILAND

Siam Music Yamaha Co., Ltd.
3, 4, 15, 16th Fl., Siam Motors Building,
891/1 Rama 1 Road, Wangmai,
Pathumwan, Bangkok 10330, Thailand
Tel: +66-2215-2622

VIETNAM

Yamaha Music Vietnam Company Limited
15th Floor, Nam A Bank Tower, 201-203 Cach
Mang Thang Tam St., Ward 4, Dist.3,
Ho Chi Minh City, Vietnam
Tel: +84-8-3818-1122

OTHER ASIAN COUNTRIES

<http://asia.yamaha.com/>

OCEANIA

AUSTRALIA

Yamaha Music Australia Pty. Ltd.
Level 1, 80 Market Street, South Melbourne,
VIC 3205, Australia
Tel: +61-3-9693-5111

COUNTRIES AND TRUST TERRITORIES IN PACIFIC OCEAN

<http://asia.yamaha.com/>

雅马哈乐器音响（中国）投资有限公司

上海市静安区新闻路 1818 号云和大厦 2 楼

客户服务热线：4000517700

公司网址：<http://www.yamaha.com.cn>

制造商： 雅马哈株式会社

制造商地址：日本静冈县滨松市中区中泽町 10-1

进口商： 雅马哈乐器音响（中国）投资有限公司

进口商地址：上海市静安区新闻路 1818 号云和大厦 2 楼

原产地： 印度尼西亚

Yamaha Pro Audio global website
<http://www.yamaha.com/proaudio/>

Yamaha Downloads
<http://download.yamaha.com/>

Manual Development Group
© 2018 Yamaha Corporation
Published 01/2018 发行 POEI-A0

ZZ45540